



# Adjustable Tension Levers in stainless steel

internal thread

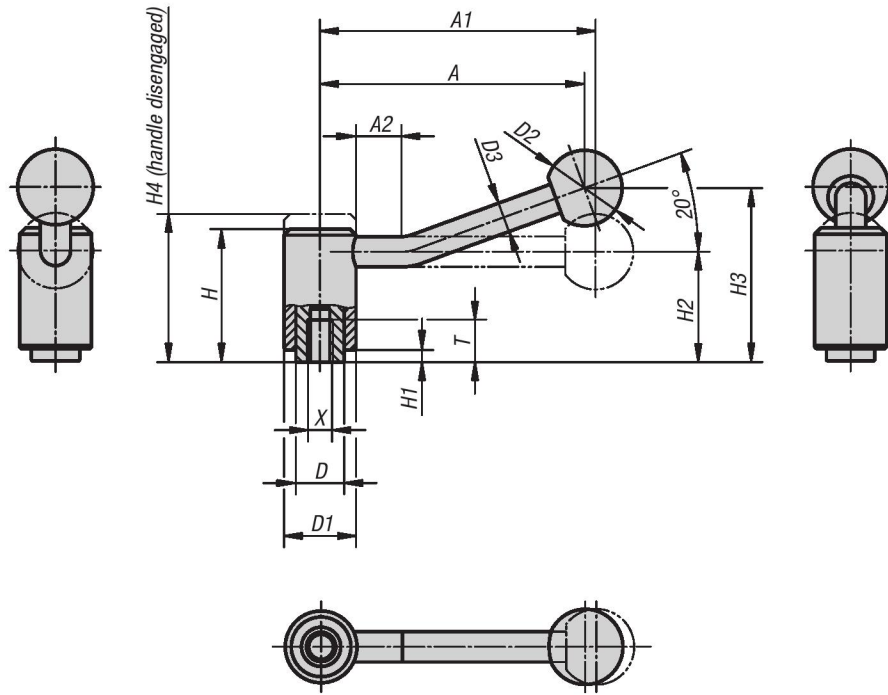


**Material:**  
Steel parts in stainless steel, 1.4305,  
black plastic ball knob

**Type:**  
Steel parts natural finish

**Part Number Example:**  
K0109.1A32

**On request:**  
Other internal threads and special versions.  
Dimension "H1", "A" and "A1" available in  
other lengths at an additional charge.



## KIPP Adjustable Tension Levers, in stainless steel, with internal thread, inch

Item No. 0 degree	Item No. 20 degrees	Size	X	T	D	D1	D2	D3	H	H1	H2	H3	H4	A	A1	A2	No. of teeth
K0109.1A32	K0109.1A31	1	5/16-18	14	16	24	25	10	44.5	4.5	37	-/58.5	49.5	-/88	92/-	-/15	22
K0109.1A42	K0109.1A41	1	3/8-16	14	16	24	25	10	44.5	4.5	37	-/58.5	49.5	-/88	92/-	-/15	22
K0109.2A42	K0109.2A41	2	3/8-16	17	19	28	32	12	51.5	5.5	42	-/68.5	57.5	-/106	111/-	-/15	24
K0109.2A52	K0109.2A51	2	1/2-13	17	19	28	32	12	51.5	5.5	42	-/68.5	57.5	-/106	111/-	-/15	24
K0109.3A52	K0109.3A51	3	1/2-13	23	23	33	32	13	58	6	47	-/81	65	-/128.5	134.5/-	-/15	26
K0109.3A62	K0109.3A61	3	5/8-11	23	23	33	32	13	58	6	47	-/81	65	-/128.5	134.5/-	-/15	26
K0109.4A62	K0109.4A61	4	5/8-11	27	30	41	32	13	68.5	7.5	56.5	-/89.5	76.5	-/128.5	134/-	-/15	36
K0109.4A72	K0109.4A71	4	3/4-10	27	30	41	32	13	68.5	7.5	56.5	-/89.5	76.5	-/128.5	134/-	-/15	36

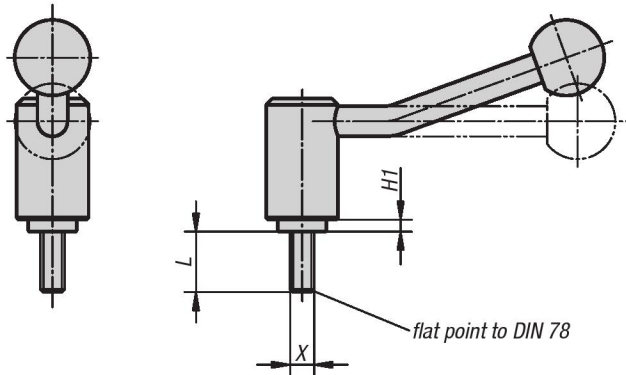
## KIPP Adjustable Tension Levers, in stainless steel, with internal thread, metric

Item No. 0 degree	Item No. 20 degrees	Size	X	T	D	D1	D2	D3	H	H1	H2	H3	H4	A	A1	A2	No. of teeth
K0109.1082	K0109.1081	1	M8	14	16	24	25	10	44,5	4,5	37	-/58,5	49,5	-/88	92/ -	-/15	22
K0109.1102	K0109.1101	1	M10	14	16	24	25	10	44,5	4,5	37	-/58,5	49,5	-/88	92/ -	-/15	22
K0109.2102	K0109.2101	2	M10	17	19	28	32	12	51,5	5,5	42	-/68,5	57,5	-/106	111/ -	-/15	24
K0109.2122	K0109.2121	2	M12	17	19	28	32	12	51,5	5,5	42	-/68,5	57,5	-/106	111/ -	-/15	24
K0109.3122	K0109.3121	3	M12	23	23	33	32	13	58	6	47	-/81	65	-/128,5	134,5/ -	-/15	26
K0109.3162	K0109.3161	3	M16	23	23	33	32	13	58	6	47	-/81	65	-/128,5	134,5/ -	-/15	26
K0109.4162	K0109.4161	4	M16	27	30	41	32	13	68,5	7,5	56,5	-/89,5	76,5	-/128,5	134/ -	-/15	36
K0109.4202	K0109.4201	4	M20	27	30	41	32	13	68,5	7,5	56,5	-/89,5	76,5	-/128,5	134/ -	-/15	36



# Adjustable Tension Levers in stainless steel

external thread



**Material:**

Steel parts in stainless steel, 1.4305,  
black plastic ball knob

**Type:**

Steel parts natural finish.

**Part Number Example:**

K0109.1A32X15  
(include length L)

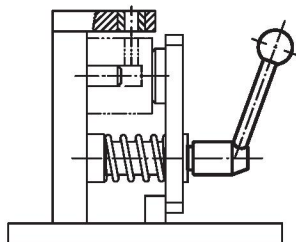
**Note:**

Missing dimensions see Tension Levers  
with internal thread.

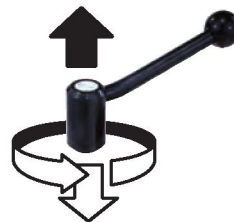
**On request:**

Other external threads, screw lengths and  
special versions.  
Dimension "H1", "A" and "A1" available in  
other lengths at an extra charge.

Application Diagram



lift to  
disengage



## KIPP Adjustable Tension Levers, in stainless steel, with external thread, inch

Item No. 0 degree	Item No. 20 degrees	Size	X	H1	L
K0109.1A32X	K0109.1A31X	1	5/16-18	4.5	15/20/25/30/40/50/60
K0109.1A42X	K0109.1A41X	1	3/8-16	4.5	15/20/25/30/40/50/60
K0109.1A52X	K0109.1A51X	1	1/2-13	4.5	15/20/25/30/40/50/60
K0109.2A52X	K0109.2A51X	2	1/2-13	5.5	20/25/30/40/50/60
K0109.3A52X	K0109.3A51X	3	1/2-13	6	20/25/30/40/50/60/70/80/90
K0109.3A62X	K0109.3A61X	3	5/8-11	6	20/25/30/40/50/60/70/80/90
K0109.4A62X	K0109.4A61X	4	5/8-11	7.5	30/40/50/60/70/80/90
K0109.4A72X	K0109.4A71X	4	3/4-10	7.5	30/40/50/60/70/80/90

## KIPP Adjustable Tension Levers, in stainless steel, with external thread, metric

Item No. 0 degree	Item No. 20 degrees	Size	X	H1	L
K0109.1082X	K0109.1081X	1	M8	4,5	15/20/25/30/40/50/60
K0109.1102X	K0109.1101X	1	M10	4,5	15/20/25/30/40/50/60
K0109.1122X	K0109.1121X	1	M12	4,5	15/20/25/30/40/50/60
K0109.2122X	K0109.2121X	2	M12	5,5	20/25/30/40/50/60
K0109.3122X	K0109.3121X	3	M12	6	20/25/30/40/50/60/70/80/90
K0109.3162X	K0109.3161X	3	M16	6	20/25/30/40/50/60/70/80/90
K0109.4162X	K0109.4161X	4	M16	7,5	30/40/50/60/70/80/90
K0109.4202X	K0109.4201X	4	M20	7,5	30/40/50/60/70/80/90