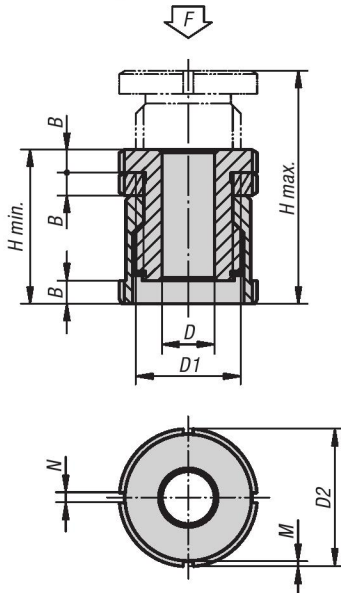




Height adjustment bolts with counter-nuts

METRIC
Parts



Material:

Steel 1.7225
stainless steel 1.4305

Type:

Steel zinc plated, blue chromate;
stainless steel natural finish

Part Number Example:

K0693.01004

Note:

The height adjustment bolts are used when dealing with the positioning and alignment of motors, motor units, drive components and production lines. The counter-nut secures the given adjustment. Other sizes available on request.

KIPP Height adjustment bolts with counter-nuts, metric

Item No.	Material	D	for screw	D1	D2	H min.	H max.	B	N	M	F kN
K0693.01004	steel	4,5	M4	M15x1	25	33	43	5	4	2	40
K0693.01005	steel	5,5	M5	M15x1	25	33	43	5	4	2	40
K0693.01006	steel	6,6	M6	M15x1	25	33	43	5	4	2	40
K0693.01406	steel	6,6	M6	M20x1	32	41	55	6	4	2	65
K0693.01408	steel	9	M8	M20x1	32	41	55	6	4	2	65
K0693.01410	steel	11	M10	M20x1	32	41	55	6	4	2	65
K0693.01810	steel	11	M10	M30x1,5	45	49	67	7	5	2	120
K0693.01812	steel	13,5	M12	M30x1,5	45	49	67	7	5	2	120
K0693.01816	steel	17,5	M16	M30x1,5	45	49	67	7	5	2	120
K0693.02316	steel	17,5	M16	M40x1,5	58	63	86	9	6	2,5	210
K0693.02320	steel	22	M20	M40x1,5	58	63	86	9	6	2,5	210
K0693.02324	steel	26	M24	M40x1,5	58	63	86	9	6	2,5	210
K0693.02920	steel	22	M20	M50x1,5	70	77	106	11	6	2,5	330
K0693.02924	steel	26	M24	M50x1,5	70	77	106	11	6	2,5	330
K0693.02930	steel	33	M30	M50x1,5	70	77	106	11	6	2,5	330
K0693.010041	stainless steel	4,5	M4	M15x1	25	33	43	5	4	2	27,1
K0693.010051	stainless steel	5,5	M5	M15x1	25	33	43	5	4	2	27,1
K0693.010061	stainless steel	6,6	M6	M15x1	25	33	43	5	4	2	27,1
K0693.014061	stainless steel	6,6	M6	M20x1	32	41	55	6	4	2	43,4
K0693.014081	stainless steel	9	M8	M20x1	32	41	55	6	4	2	43,4
K0693.014101	stainless steel	11	M10	M20x1	32	41	55	6	4	2	43,4
K0693.018101	stainless steel	11	M10	M30x1,5	45	49	67	7	5	2	84
K0693.018121	stainless steel	13,5	M12	M30x1,5	45	49	67	7	5	2	84
K0693.018161	stainless steel	17,5	M16	M30x1,5	45	49	67	7	5	2	84
K0693.023161	stainless steel	17,5	M16	M40x1,5	58	63	86	9	6	2,5	148
K0693.023201	stainless steel	22	M20	M40x1,5	58	63	86	9	6	2,5	148
K0693.023241	stainless steel	26	M24	M40x1,5	58	63	86	9	6	2,5	148
K0693.029201	stainless steel	22	M20	M50x1,5	70	77	106	11	6	2,5	225
K0693.029241	stainless steel	26	M24	M50x1,5	70	77	106	11	6	2,5	225
K0693.029301	stainless steel	33	M30	M50x1,5	70	77	106	11	6	2,5	225