



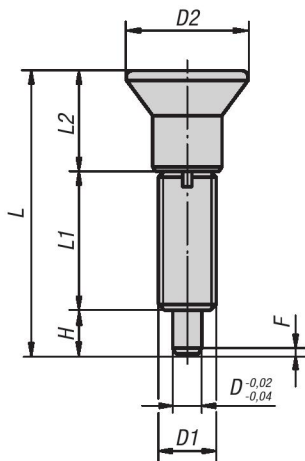
Indexing Plungers

without collar with extended locking pin

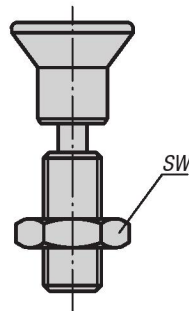
INCH
Parts



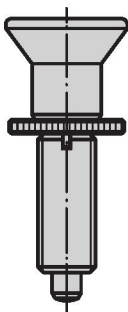
Style G
without locknut



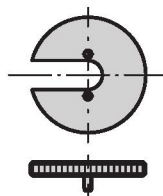
Style H
with locknut



with screw-in washer



screw-in washer



Material:

- Steel version, locking pin hardened: quality class 5.8
- Stainless steel version, locking pin hardened: threaded sleeve 1.4305 locking pin 1.4034
- Stainless steel version, locking pin not hardened: threaded sleeve 1.4305 locking pin 1.4305

Mushroom knob in black gray thermoplastic

Type:

- Steel version, locking pin hardened: black oxide finish, locking pin ground
- Stainless steel version, locking pin hardened: natural finish, locking pin ground
- Stainless steel version, locking pin not hardened: natural finish, locking pin ground

Part Number Example:

K0633.21903AJ

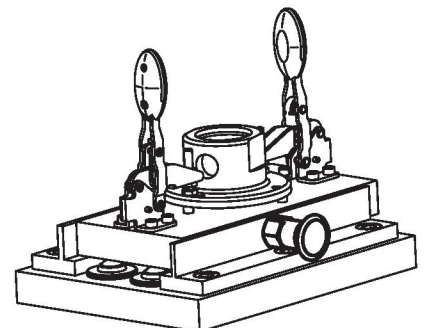
Note:

Indexing plungers are used to prevent any change in locking position due to lateral forces. A new locking position can only be set after the pin has been manually disengaged.

A washer is available to aid by screwing in the indexing plungers. The washer slides beneath the mushroom knob so that the carrier pins engage in the slot.

On request:

Special versions.





Indexing Plungers

without collar with extended locking pin

KIPP Indexing Plungers without collar and extended locking pin, in steel, locking pin hardened, inch

Item No. Style G	Item No. Style H	D	D1	D2	L	L1	L2	H	SW	F x 30°	Spring force initial pressure F1 approx. N	Spring force final pressure F2 approx. N	Item No. screw-in washer
K0633.21903AJ	K0633.22903AJ	3	1/4-28	14	33	17	11	5	-17/16	.8	4.5	12	K0344.99
K0633.21004AK	K0633.22004AK	4	5/16-24	18	40.5	21	13.5	6	-11/2	1	6	15	K0344.90
K0633.21105AL	K0633.22105AL	5	3/8-24	21	46.5	24	14.5	8	-19/16	1.3	5	16	K0344.91
K0633.21206A5	K0633.22206A5	6	1/2-13	25	54.7	28	17.7	9	-13/4	1.8	6	18	K0344.92
K0633.21308A6	K0633.22308A6	8	5/8-11	33	72	36	24	12	-115/16	2.3	15	45	K0344.93
K0633.21410A7	K0633.22410A7	10	3/4-10	33	79	40	24	15	-111/8	2.8	15	43	K0344.94
K0633.21412A0	K0633.22412A0	12	3/4-16	33	84	42	24	18	-111/8	2.8	15	51	K0344.94
K0633.21516A8	K0633.22516A8	16	1"-8	40	104	50	30	24	-111/2	3.2	20	60	K0344.95

KIPP Indexing Plungers without collar and extended locking pin, in stainless steel, locking pin hardened, inch

Item No. Style G	Item No. Style H	D	D1	D2	L	L1	L2	H	SW	F x 30°	Spring force initial pressure F1 approx. N	Spring force final pressure F2 approx. N	Item No. screw-in washer
K0633.201903AJ	K0633.202903AJ	3	1/4-28	14	33	17	11	5	-17/16	.8	4.5	12	K0344.99
K0633.201004AK	K0633.202004AK	4	5/16-24	18	40.5	21	13.5	6	-11/2	1	6	15	K0344.90
K0633.201105AL	K0633.202105AL	5	3/8-24	21	46.5	24	14.5	8	-19/16	1.3	5	16	K0344.91
K0633.201206A5	K0633.202206A5	6	1/2-13	25	54.7	28	17.7	9	-13/4	1.8	6	18	K0344.92
K0633.201308A6	K0633.202308A6	8	5/8-11	33	72	36	24	12	-115/16	2.3	15	45	K0344.93
K0633.201410A7	K0633.202410A7	10	3/4-10	33	79	40	24	15	-111/8	2.8	15	43	K0344.94
K0633.201412A0	K0633.202412A0	12	3/4-16	33	84	42	24	18	-111/8	2.8	15	51	K0344.94
K0633.201516A8	K0633.202516A8	16	1"-8	40	104	50	30	24	-111/2	3.2	20	60	K0344.95

KIPP Indexing Plungers without collar and extended locking pin, in stainless steel, locking pin not hardened, inch

Item No. Style G	Item No. Style H	D	D1	D2	L	L1	L2	H	SW	F x 30°	Spring force initial pressure F1 approx. N	Spring force final pressure F2 approx. N	Item No. screw-in washer
K0633.211903AJ	K0633.212903AJ	3	1/4-28	14	33	17	11	5	-17/16	.8	4.5	12	K0344.99
K0633.211004AK	K0633.212004AK	4	5/16-24	18	40.5	21	13.5	6	-11/2	1	6	15	K0344.90
K0633.211105AL	K0633.212105AL	5	3/8-24	21	46.5	24	14.5	8	-19/16	1.3	5	16	K0344.91
K0633.211206A5	K0633.212206A5	6	1/2-13	25	54.7	28	17.7	9	-13/4	1.8	6	18	K0344.92
K0633.211308A6	K0633.212308A6	8	5/8-11	33	72	36	24	12	-115/16	2.3	15	45	K0344.93
K0633.211410A7	K0633.212410A7	10	3/4-10	33	79	40	24	15	-111/8	2.8	15	43	K0344.94
K0633.211412A0	K0633.212412A0	12	3/4-16	33	84	42	24	18	-111/8	2.8	15	51	K0344.94
K0633.211516A8	K0633.212516A8	16	1"-8	40	104	50	30	24	-111/2	3.2	20	60	K0344.95



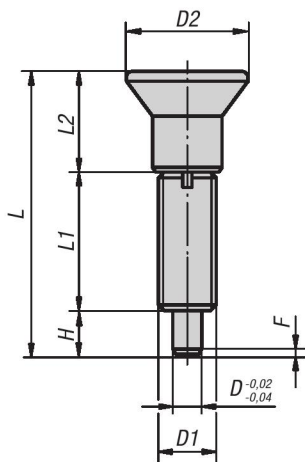
Indexing Plungers

without collar with extended locking pin

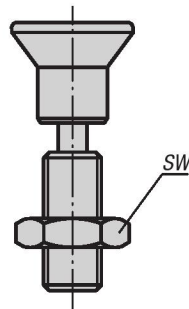
METRIC
Parts



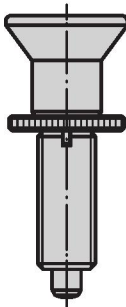
Style G
without locknut



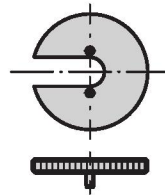
Style H
with locknut



with screw-in washer



screw-in washer



Material:

- Steel version, locking pin hardened: quality class 5.8
- Stainless steel version, locking pin hardened: threaded sleeve 1.4305 locking pin 1.4034
- Stainless steel version, locking pin not hardened: threaded sleeve 1.4305 locking pin 1.4305

Mushroom knob in black gray thermoplastic

Type:

- Steel version, locking pin hardened: black oxide finish, locking pin ground
- Stainless steel version, locking pin hardened: natural finish, locking pin ground
- Stainless steel version, locking pin not hardened: natural finish, locking pin ground

Part Number Example:

K0633.21903AJ

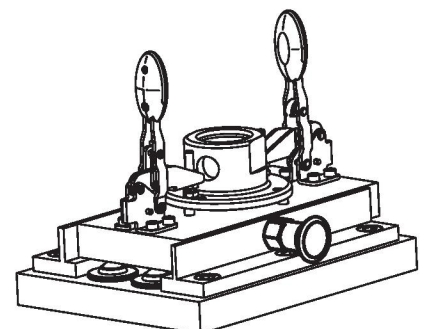
Note:

Indexing plungers are used to prevent any change in locking position due to lateral forces. A new locking position can only be set after the pin has been manually disengaged.

A washer is available to aid by screwing in the indexing plungers. The washer slides beneath the mushroom knob so that the carrier pins engage in the slot.

On request:

Special versions.





Indexing Plungers

without collar with extended locking pin

KIPP Indexing Plungers without collar and extended locking pin, in steel, locking pin hardened, metric

Item No. Style G	Item No. Style H	D	D1	D2	L	L1	L2	H	SW	F x 30°	Spring force initial pressure F1 approx. N	Spring force final pressure F2 approx. N	Item No. screw-in washer
K0633.21903	K0633.22903	3	M6x0,75	14	33	17	11	5	- / 10	0,8	4,5	12	K0344.99
K0633.21004	K0633.22004	4	M8x1	18	40,5	21	13,5	6	- / 13	1	6	15	K0344.90
K0633.21105	K0633.22105	5	M10x1	21	46,5	24	14,5	8	- / 17	1,3	5	16	K0344.91
K0633.21206	K0633.22206	6	M12x1,5	25	54,7	28	17,7	9	- / 19	1,8	6	18	K0344.92
K0633.21308	K0633.22308	8	M16x1,5	33	72	36	24	12	- / 24	2,3	15	45	K0344.93
K0633.21410	K0633.22410	10	M20x1,5	33	79	40	24	15	- / 30	2,8	15	43	K0344.94
K0633.21412	K0633.22412	12	M20x1,5	33	84	42	24	18	- / 30	2,8	15	51	K0344.94
K0633.21516	K0633.22516	16	M24x2	40	104	50	30	24	- / 36	3,2	20	60	K0344.95

KIPP Indexing Plungers without collar and extended locking pin, in stainless steel, locking pin hardened, metric

Item No. Style G	Item No. Style H	D	D1	D2	L	L1	L2	H	SW	F x 30°	Spring force initial pressure F1 approx. N	Spring force final pressure F2 approx. N	Item No. screw-in washer
K0633.201903	K0633.202903	3	M6x0,75	14	33	17	11	5	- / 10	0,8	4,5	12	K0344.99
K0633.201004	K0633.202004	4	M8x1	18	40,5	21	13,5	6	- / 13	1	6	15	K0344.90
K0633.201105	K0633.202105	5	M10x1	21	46,5	24	14,5	8	- / 17	1,3	5	16	K0344.91
K0633.201206	K0633.202206	6	M12x1,5	25	54,7	28	17,7	9	- / 19	1,8	6	18	K0344.92
K0633.201308	K0633.202308	8	M16x1,5	33	72	36	24	12	- / 24	2,3	15	45	K0344.93
K0633.201410	K0633.202410	10	M20x1,5	33	79	40	24	15	- / 30	2,8	15	43	K0344.94
K0633.201412	K0633.202412	12	M20x1,5	33	84	42	24	18	- / 30	2,8	15	51	K0344.94
K0633.201516	K0633.202516	16	M24x2	40	104	50	30	24	- / 36	3,2	20	60	K0344.95

KIPP Indexing Plungers without collar and extended locking pin, in stainless steel, locking pin not hardened, metric

Item No. Style G	Item No. Style H	D	D1	D2	L	L1	L2	H	SW	F x 30°	Spring force initial pressure F1 approx. N	Spring force final pressure F2 approx. N	Item No. screw-in washer
K0633.211903	K0633.212903	3	M6x0,75	14	33	17	11	5	- / 10	0,8	4,5	12	K0344.99
K0633.211004	K0633.212004	4	M8x1	18	40,5	21	13,5	6	- / 13	1	6	15	K0344.90
K0633.211105	K0633.212105	5	M10x1	21	46,5	24	14,5	8	- / 17	1,3	5	16	K0344.91
K0633.211206	K0633.212206	6	M12x1,5	25	54,7	28	17,7	9	- / 19	1,8	6	18	K0344.92
K0633.211308	K0633.212308	8	M16x1,5	33	72	36	24	12	- / 24	2,3	15	45	K0344.93
K0633.211410	K0633.212410	10	M20x1,5	33	79	40	24	15	- / 30	2,8	15	43	K0344.94
K0633.211412	K0633.212412	12	M20x1,5	33	84	42	24	18	- / 30	2,8	15	51	K0344.94
K0633.211516	K0633.212516	16	M24x2	40	104	50	30	24	- / 36	3,2	20	60	K0344.95