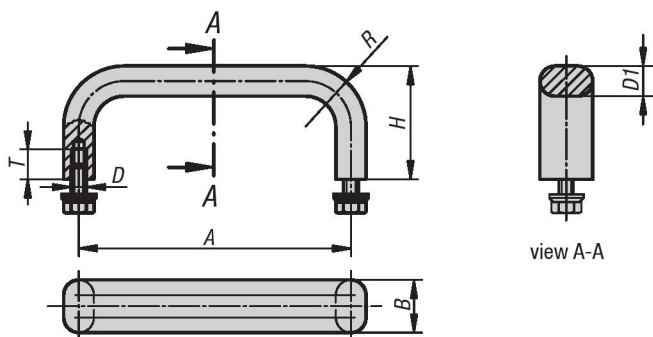


Pull Handles

stainless steel, rectangular profile



Material:

Handle in stainless steel 1.4305
fastening material 1.4301

Type:

Vibratory ground satin finish

Part Number Example:

K0208.10005

KIPP Pull Handles, stainless steel, rectangular profile, metric

Item No.	A	B	D	D1	H	R	T	Load capacity N
K0208.10005	100	12	M5x10	8	40	22	10	1000
K0208.12005	120	12	M5x10	8	40	22	10	1000
K0208.15005	150	12	M5x10	8	40	22	10	1000
K0208.18005	180	12	M5x10	8	40	22	10	1000
K0208.25005	250	12	M5x10	8	40	22	10	1000
K0208.10006	100	19,5	M6x12	10	45	24	12	1000
K0208.12006	120	19,5	M6x12	10	45	24	12	1000
K0208.15006	150	19,5	M6x12	10	45	24	12	1000
K0208.18006	180	19,5	M6x12	10	45	24	12	1000
K0208.25006	250	19,5	M6x12	10	45	24	12	1000