

84L3-2 SERIES

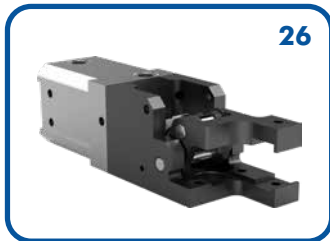
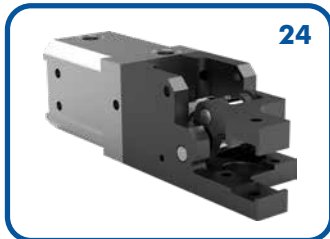
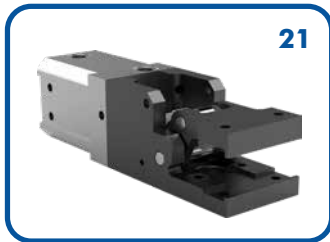
Cam Type Sheet Metal Grippers | Ordering Information



Jaw Arrangement Options

Description

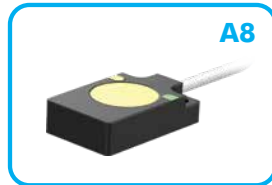
- 21** Double
- 24** Single, Right
- 26** Single, Left



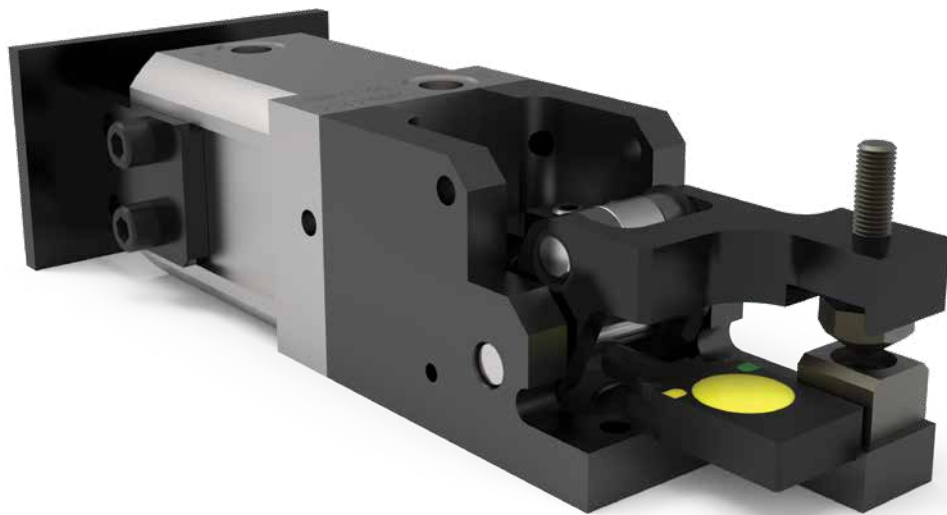
Sensor Options

Description

- 00** None
- A8** Workpiece Control, Switching Distance 7mm
8EA-092-1
- A9** Workpiece Control, Switching Distance 7mm,
M12x1 Plug, 3 Pin - 8EA-092-2



Shims for Sensor available
Order Separately **8MB-003-1**



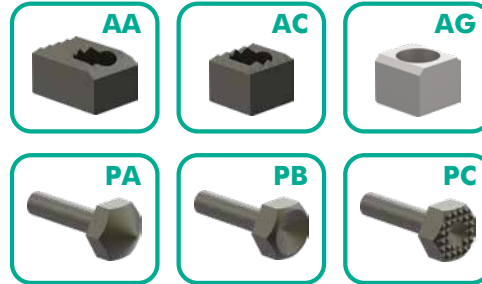
84L3-2 SERIES

Cam Type Sheet Metal Grippers | Ordering Information

Gripper Teeth and Points Options

Upper Teeth Options

- 00** None
- AA** 14,9x21x12mm - 8JZ-014-3
- AC** 14,9x14x12mm - 8JZ-043-1
- AG** 14,9x14x12mm - 8JZ-050-1
- PA** 8MJ-1001-1
- PB** 8MJ-1002-1
- PC** 8MJ-1003-1



Lower Teeth Options

- 00** None
- AA** 14,9x21x12mm - 8JZ-014-3
- AC** 14,9x14x12mm - 8JZ-043-1
- AG** 14,9x14x12mm - 8JZ-050-1

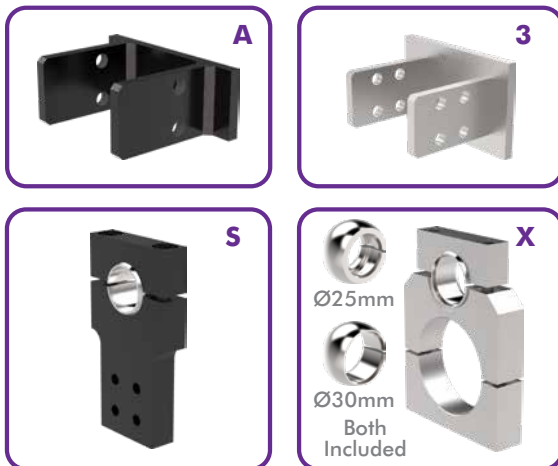


Shims for gripper teeth available
Order Separately **8SB-003-1**
Dimensions: 14,8 x 13 x 0,15 mm

Mounting Options

Description

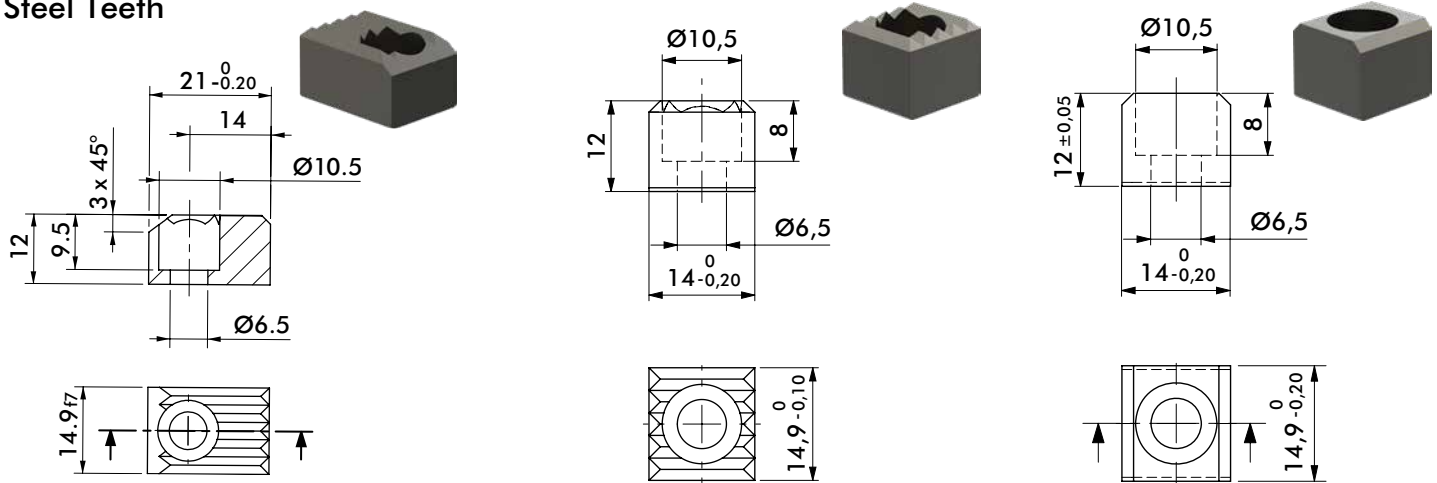
- 0** None
- A** Rear Flange - 8MA-006-1
- 3** Rear Flange - 8MA-273-1
- S** Rear Swivel Ball - 82ZB-007-1
- X** On-Body Swivel Ball - 82ZB-033-2



84L3 SERIES ACCESSORIES

Cam Type Sheet Metal Grippers | Dimensions and Ordering Information

Steel Teeth

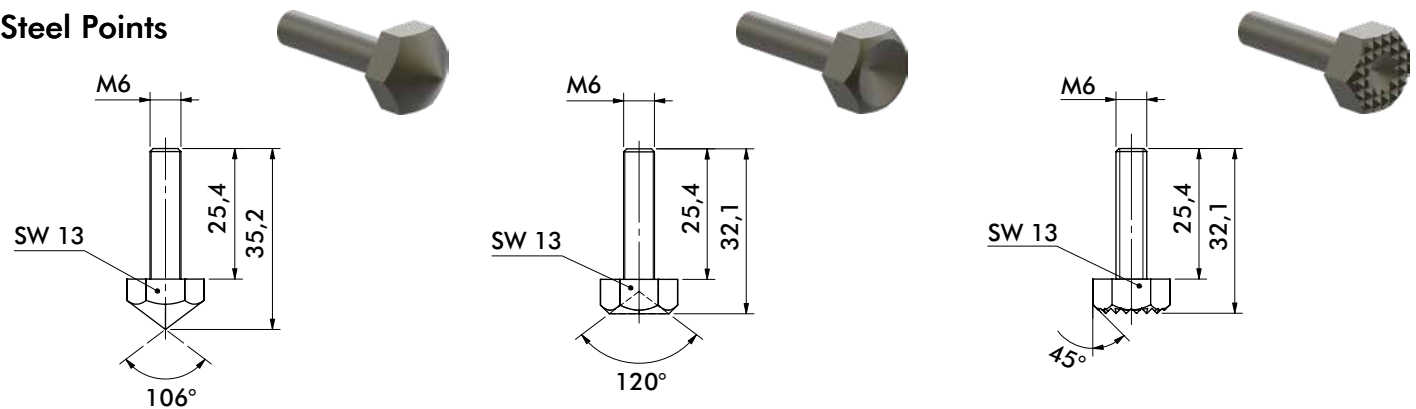


Steel Teeth Part Number
Serrated **8JZ-014-3**

Steel Teeth Part Number
Serrated **8JZ-043-1**

Steel Teeth Part Number
Flat **8JZ-050-1**

Steel Points

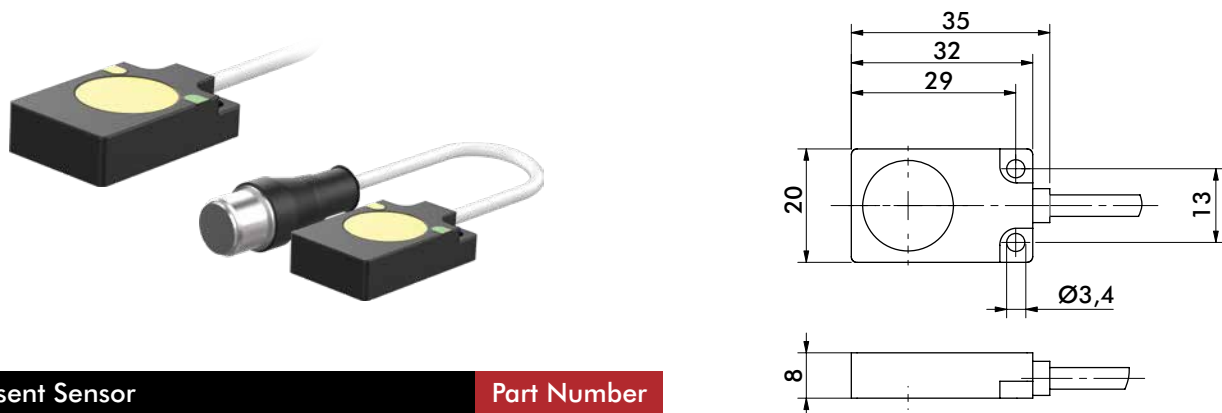


Steel Point Part Number
Pointed **8MJ-1001-1**

Steel Point Part Number
Flat **8MJ-1002-1**

Steel Point Part Number
Serrated **8MJ-1003-1**

Sensors

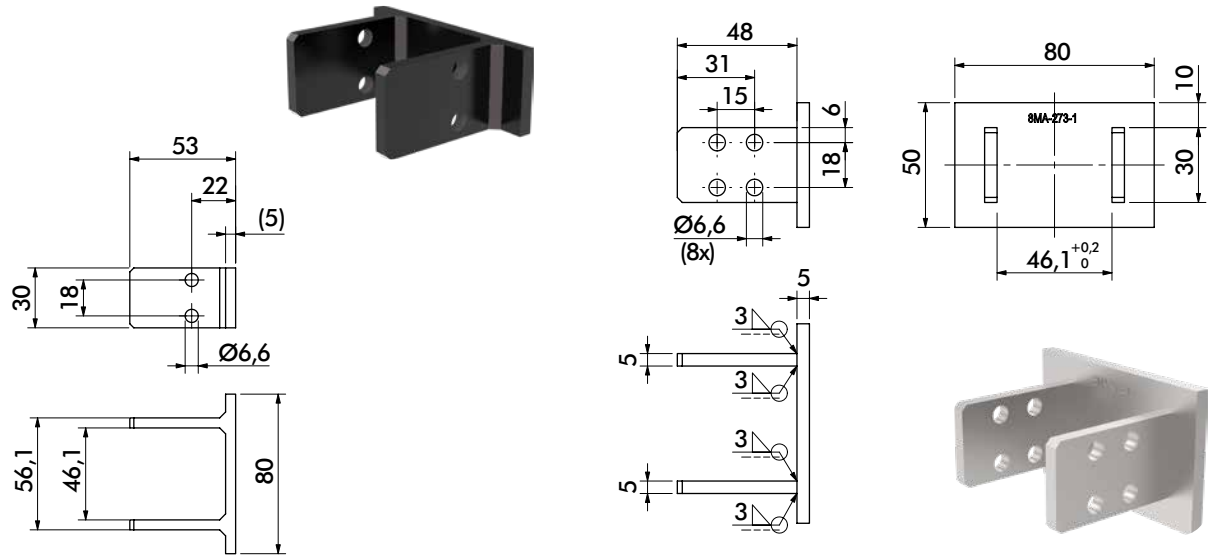


Part Present Sensor Part Number
Switching Distance 7mm **8EA-092-1**
Switching Distance 7mm, M12x1 Plug, 3 Pin **8EA-092-2**

84L3 ACCESSORIES

Cam Type Sheet Metal Grippers | Dimensions and Ordering Information

Mounts



Mount

Part Number

Rear Flange

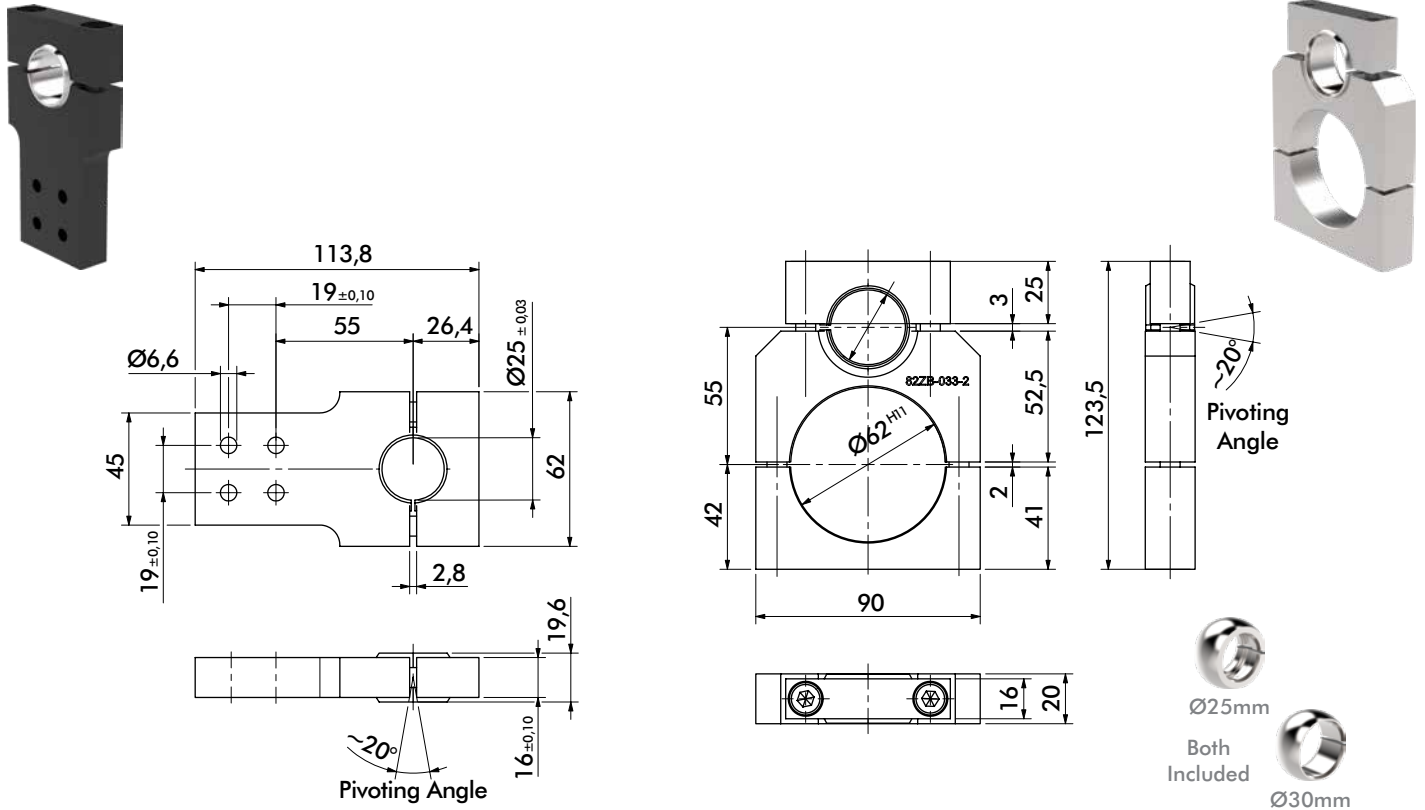
8MA-006-1

Mount

Part Number

Rear Flange

8MA-273-1



Mount

Part Number

Rear Swivel Ball

82ZB-007-1

Mount

Part Number

On-Body Swivel Ball

82ZB-033-2