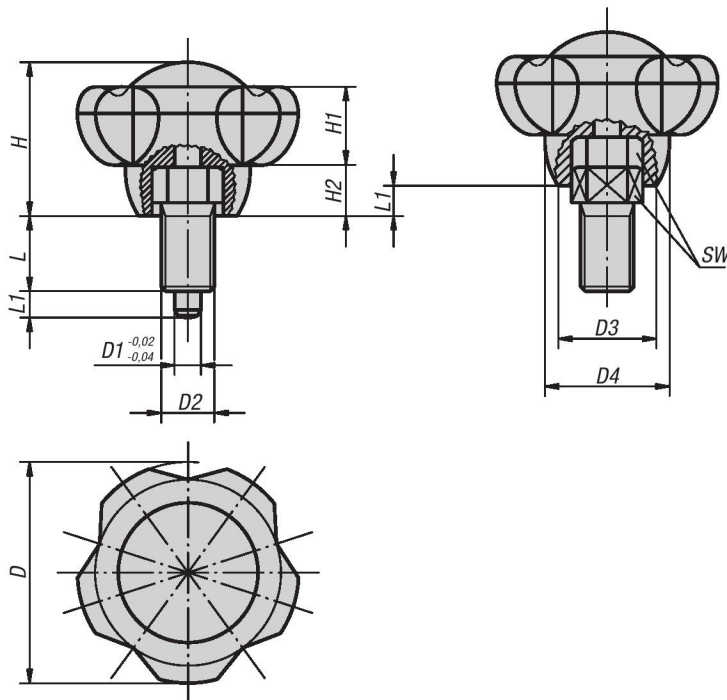




Indexing Plungers

lock and clamp

INCH Parts METRIC Parts



The Novo-Grip indexing and clamp grip makes it possible: indexing and clamping with one single product. The telescopic adjustments can be positioned and clamped quickly, precisely and simply.

Material:

Knob, thermoplastic
Indexing pin and threaded bolt steel 5.8.

Type:

Grip black gray.
Indexing pin and threaded bolt black oxide finish.
Indexing pin hardened and ground.

Part Number Example:

K0245.1105AL6 (grip cap color traffic red)

Note:

Δ Add the desired grip cap color here; no color code is required with black gray grip caps.



KIPP Indexing Plungers, inch

Item No.	Size	D	D1	D2	D3	D4	H	H1	H2	L	L1	SW
K0245.1105ALΔ	1	50	5	3/8-24	22.2	28.2	34.8	17.8	11.5	13	5	13
K0245.1206A5Δ	2	50	6	1/2-13	22.2	28.2	34.8	17.8	11.5	17	6	14
K0245.1308A6Δ	3	63	8	5/8-11	28	35.5	44	22.5	14.5	22	8	19
K0245.1410A7Δ	4	63	10	3/4-10	28	35.5	44	22.5	14.5	24	10	22

KIPP Indexing Plungers, metric

Item No.	Size	D	D1	D2	D3	D4	H	H1	H2	L	L1	SW
K0245.1105Δ	1	50	5	M10x1	22,2	28,2	34,8	17,8	11,5	13	5	13
K0245.1206Δ	2	50	6	M12x1,5	22,2	28,2	34,8	17,8	11,5	17	6	14
K0245.1308Δ	3	63	8	M16x1,5	28	35,5	44	22,5	14,5	22	8	19
K0245.1410Δ	4	63	10	M20x1,5	28	35,5	44	22,5	14,5	24	10	22