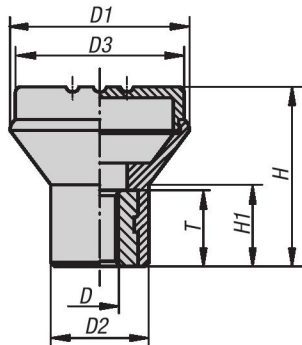




Mushroom Knobs

with internal thread

INCH Parts METRIC Parts



Advanced engineering and award winning design of Novo-Grip Mushroom Knobs will make any equipment stand out, high ergonomic functionality, a firm and safe gripping and the eye appealing design distinguish the Kipp Novo-Grip line.

Material:

Black gray thermoplastic.
Bushing steel 5.8 or stainless steel 1.4305.

Type:

Steel blue chromate or stainless steel natural finish.

Part Number Example:

K0251.AE6 (cap color traffic red)

Note:

Δ Add the desired cap color here. No color code is required for black gray caps.



KIPP Mushroom Knobs, internal thread, inch

Item No. bushing steel	Item No. bushing stainless steel	Size	D	D1	D2	D3	H	H1	T
K0251.AEΔ	K0251.0AEΔ	1	8-32	21	13	19	21	10	10
K0251.A1Δ	K0251.0A1Δ	1	10-32	21	13	19	21	10	10
K0251.A2Δ	K0251.0A2Δ	2	1/4-20	25	14	23	25	12	10
K0251.A3Δ	K0251.0A3Δ	3	5/16-18	33	19	31	33	15	14

KIPP Mushroom Knobs, internal thread, metric

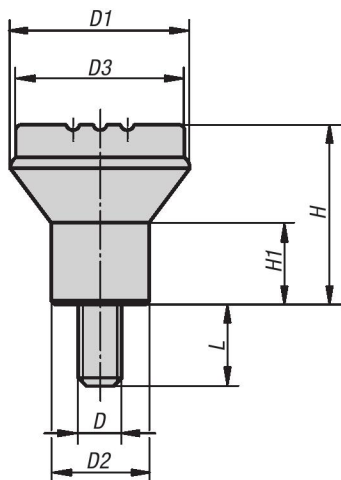
Item No. bushing steel	Item No. bushing stainless steel	Size	D	D1	D2	D3	H	H1	T
K0251.04Δ	K0251.004Δ	1	M4	21	12	19	21	10	10
K0251.05Δ	K0251.005Δ	1	M5	21	12	19	21	10	10
K0251.06Δ	K0251.006Δ	2	M6	25	14	23	25	12	10
K0251.08Δ	K0251.008Δ	3	M8	33	19	31	33	15	14



Mushroom Knobs

with external thread

INCH Parts METRIC Parts



Advanced engineering and award winning design of Novo-Grip Mushroom Knobs will make any equipment stand out, high ergonomic functionality, a firm and safe gripping and the eye appealing design distinguish the Kipp Novo-Grip line.

Material:

Black gray thermoplastic.
Screw steel 5.8, or
stainless steel 1.4305.

Type:

Steel blue chromate or
stainless steel natural finish.

Part Number Example:

K0251.AE6X10
(cap color traffic red; include length L)

Note:

Δ Add the desired cap color here; no color code is required for black gray caps.



KIPP Mushroom Knobs, external thread, inch

Item No. bolt steel	Item No. bolt stainless steel	Size	D	D1	D2	D3	H	H1	L
K0251.AEΔX	K0251.0AEΔX	1	8-32	21	13	19	21	10	10/20
K0251.A1ΔX	K0251.0A1ΔX	1	10-32	21	13	19	21	10	10/20
K0251.A2ΔX	K0251.0A2ΔX	2	1/4-20	25	14	23	25	12	20/30
K0251.A3ΔX	K0251.0A3ΔX	3	5/16-18	33	19	31	33	15	20/40

KIPP Mushroom Knobs, external thread, metric

Item No. bolt steel	Item No. bolt stainless steel	Size	D	D1	D2	D3	H	H1	L
K0251.04X10	K0251.004X10	1	M4	21	12	19	21	10	10
K0251.05X10	K0251.005X10	1	M5	21	12	19	21	10	10
K0251.06X15	K0251.006X15	2	M6	25	14	23	25	12	15
K0251.08X15	K0251.008X15	3	M8	33	19	31	33	15	15