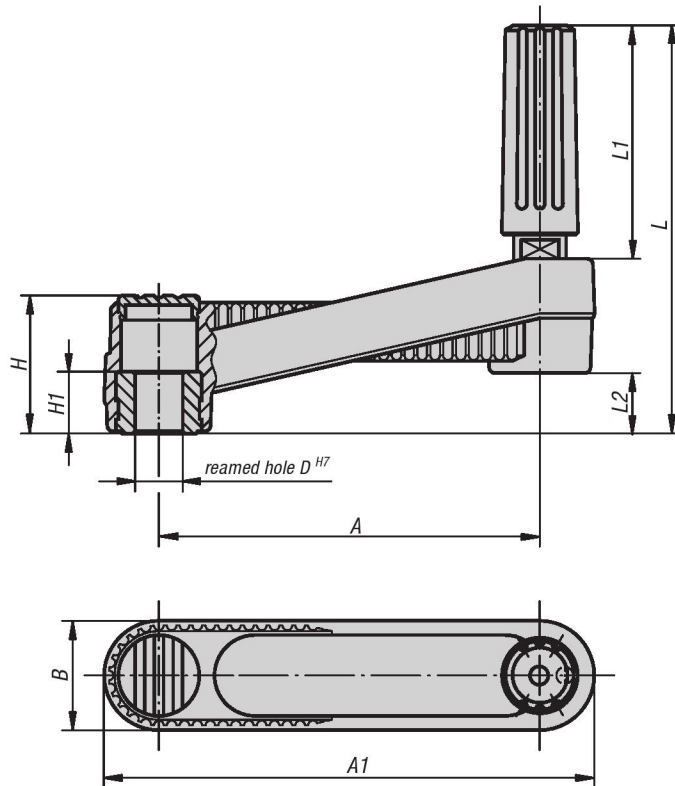




Crank Handles

with revolving grip

INCH Parts METRIC Parts



Novo-Grip Crank Handles are part of Kipp's advanced engineering Novo-Grip line. These trend-setting Crank Handles are ergonomically designed to perform in any application offering strength, durability, and precision performance while offering an attractive appearance.

Material:

Black gray thermoplastic.

Type:

Steel parts black oxide finish.

Part Number Example:

K0659.31C0

Note:

The hub cap and the revolving grip are supplied loose. To assemble the handle simply screw the grip into the existing hole. Novo-Grip crank handles can be secured to a shaft by using a transverse pin or by parallel key connection together with a DIN 6912 socket head screw and a DIN 7349 washer.

KIPP Crank Handles, with revolving grip, inch

Item No.	Size	A	A1	B	D	H	H1	L	L1	L2
K0659.31C0	1	80	104	24	.375	29	13	85.5	49	13
K0659.32C0	2	100	129	29	.375	36	13	105	59.5	16
K0659.32CP	2	100	129	29	.500	36	13	105	59.5	16
K0659.33CP	3	125	161	36	.500	44	18.5	140	83.5	19.5

KIPP Crank Handles, with revolving grip, metric

Item No.	Size	A	A1	B	D	H	H1	L	L1	L2
K0659.3108	1	80	104	24	8	29	13	85,5	49	13
K0659.3210	2	100	129	29	10	36	13	105	59,5	16
K0659.3212	2	100	129	29	12	36	13	105	59,5	16
K0659.3312	3	125	161	36	12	44	18,5	140	83,5	19,5