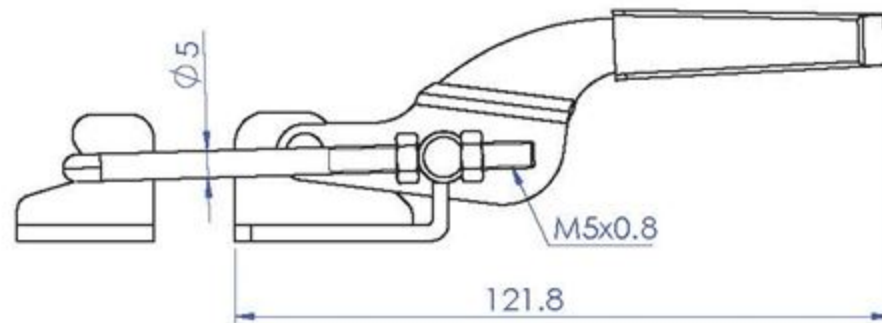
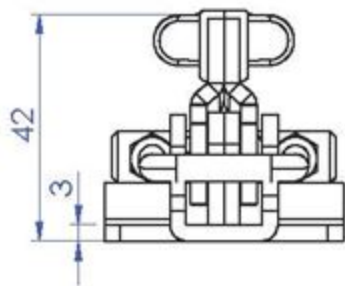
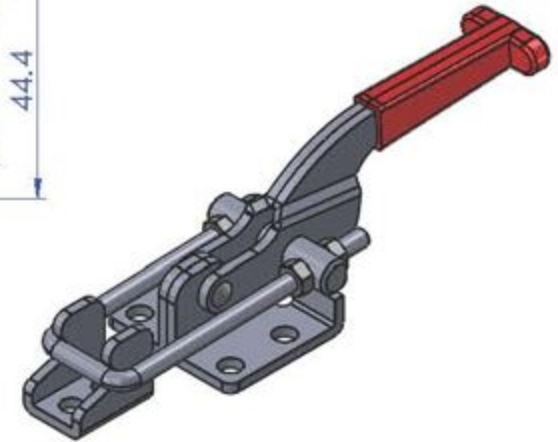
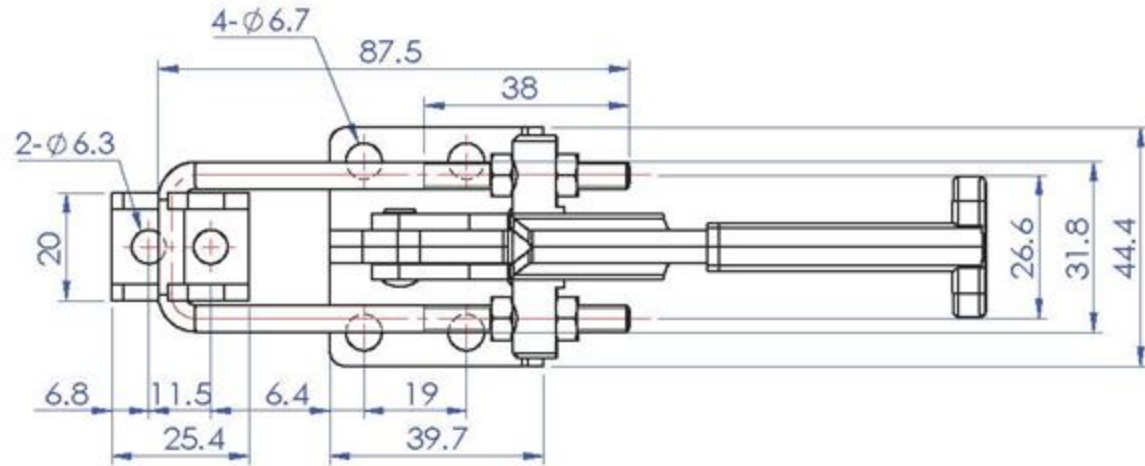


Part No:	GH-431M-SS
Holding Capacity:	318Kg
Weight:	0.225Kg
Latch Plate Supplied:	GH-431-LPSS



Unit:mm

Scale: 1:1.5

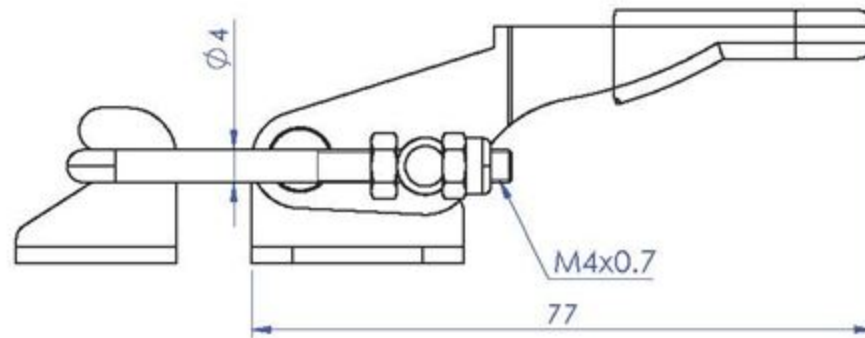
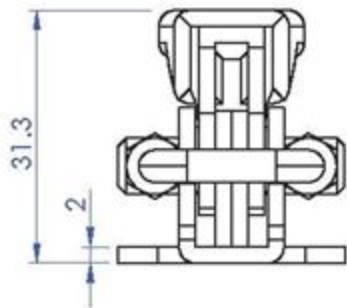
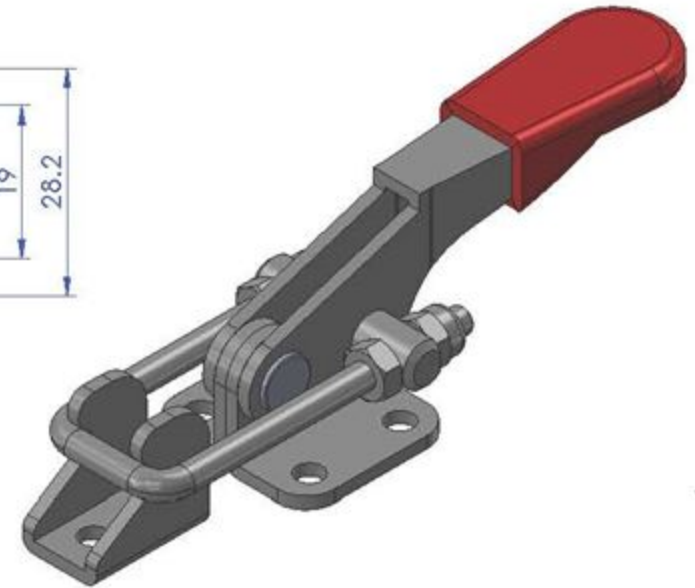
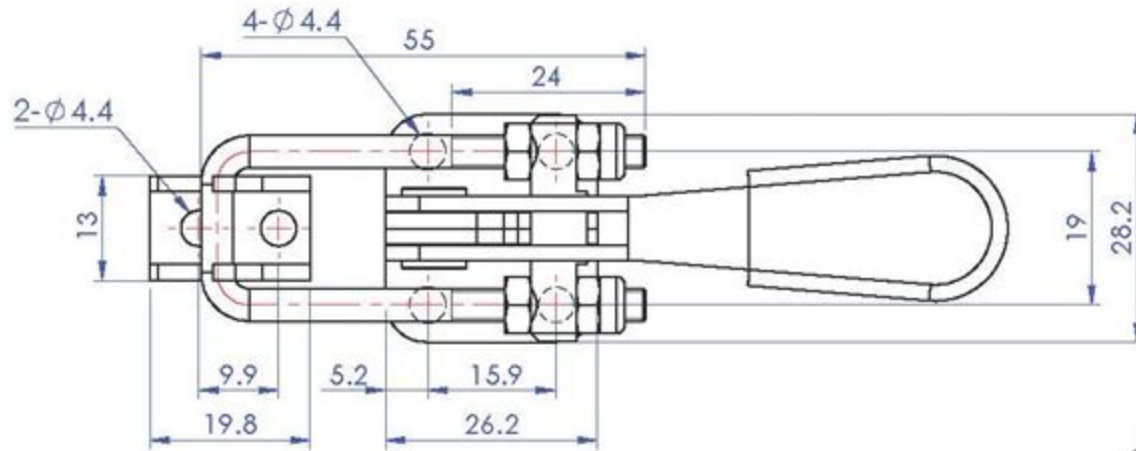
Good Hand UK Ltd

TITLE:

DWG NO. GH-431M-SS

A4

Part No:	GH-40323-SS
Holding Capacity:	163Kg
Weight:	0.07Kg
Latch Plate Supplied:	GH-40323-LPSS

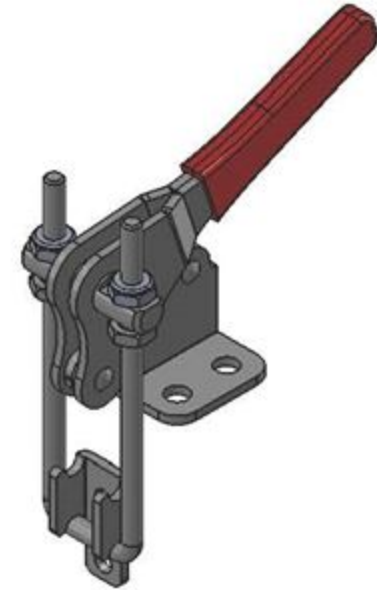
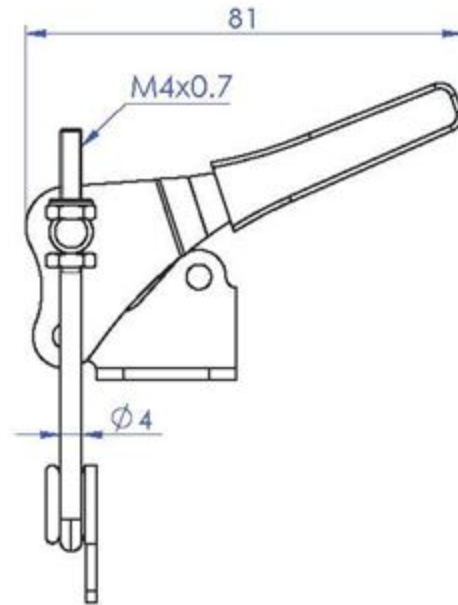
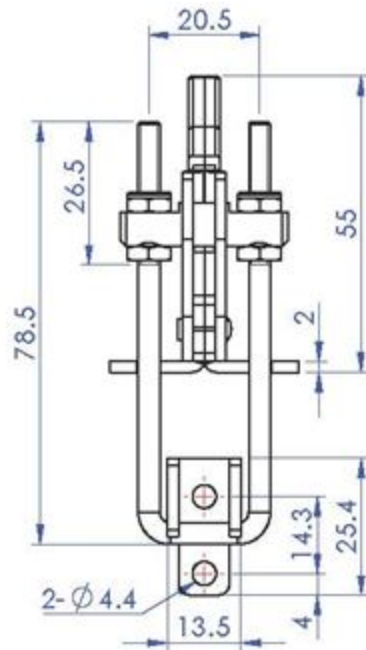
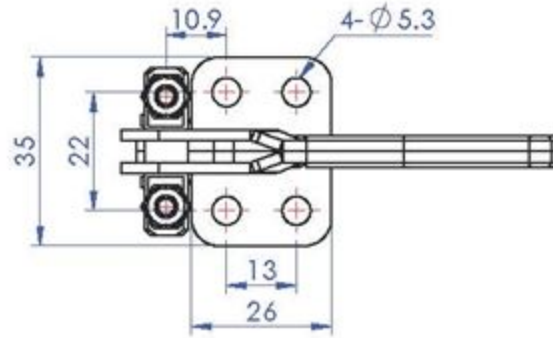


Unit:mm

Scale: 1:1

Good Hand UK Ltd	
TITLE:	
DWG NO.	GH-40323-SS
	A4

Part No:	GH-40324-SS
Holding Capacity:	225Kg
Weight:	0.094Kg
Latch Plate Supplied:	GH-40324-LPSS



Unit:mm
Scale: 1:1.5

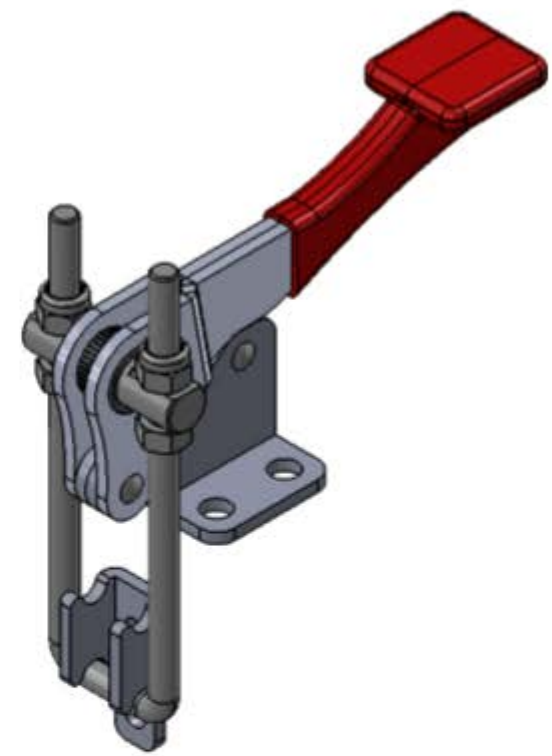
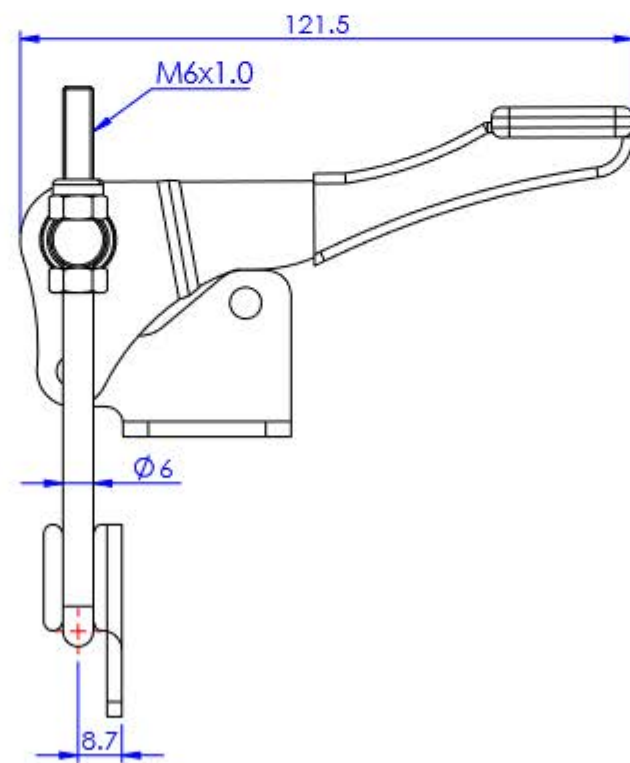
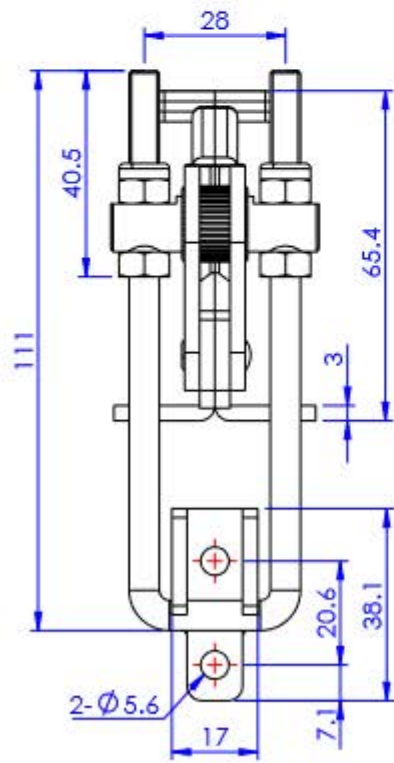
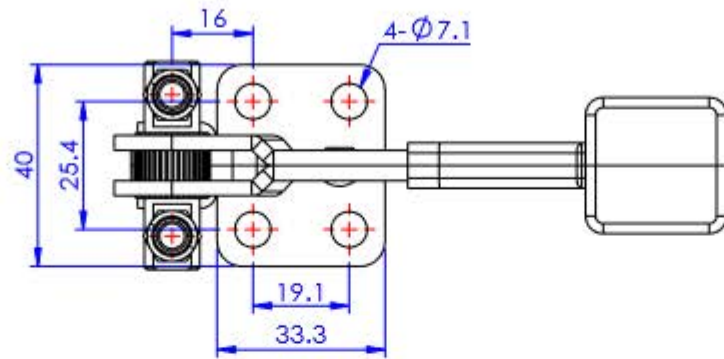
Good Hand UK Ltd

TITLE:

DWG NO. GH-40324-SS

A4

Part No:	GH-40334-SS
Holding Capacity:	450Kg
Weight:	0.3Kg
Latch Plate Supplied:	GH-40334-LPSS

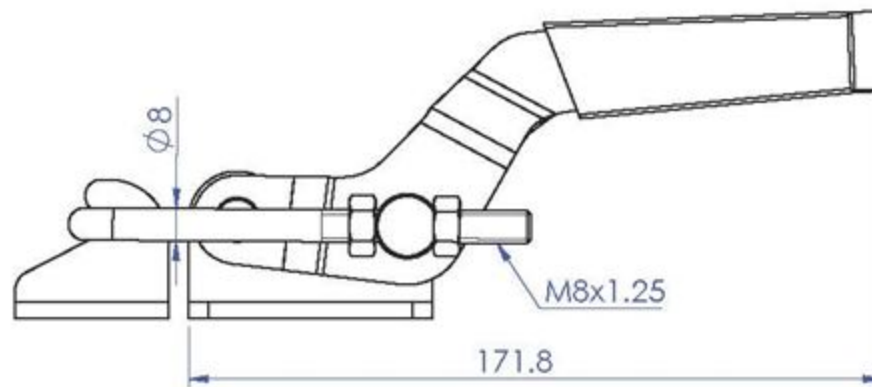
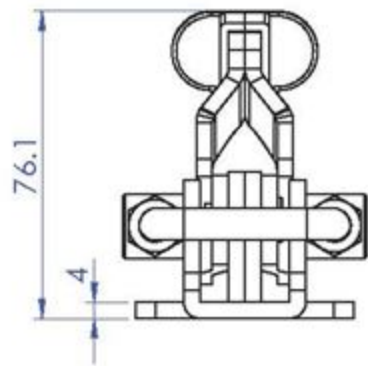
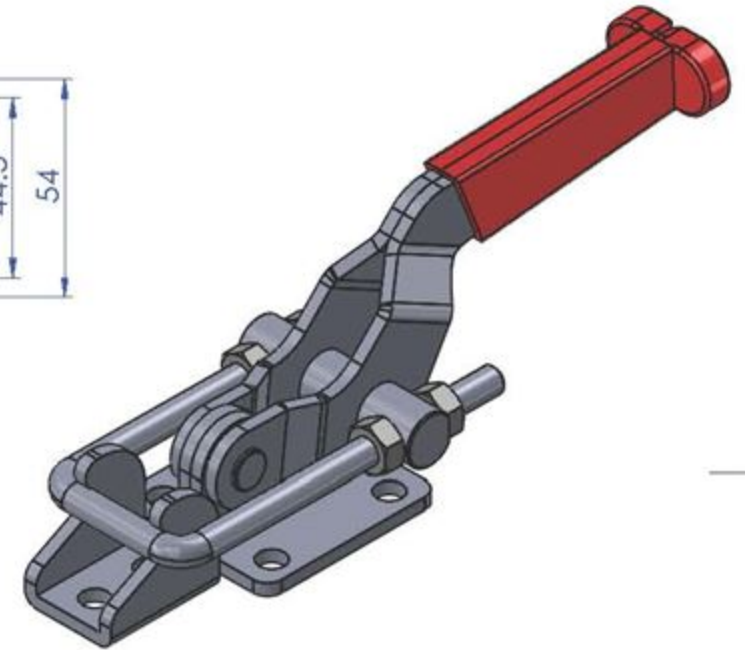
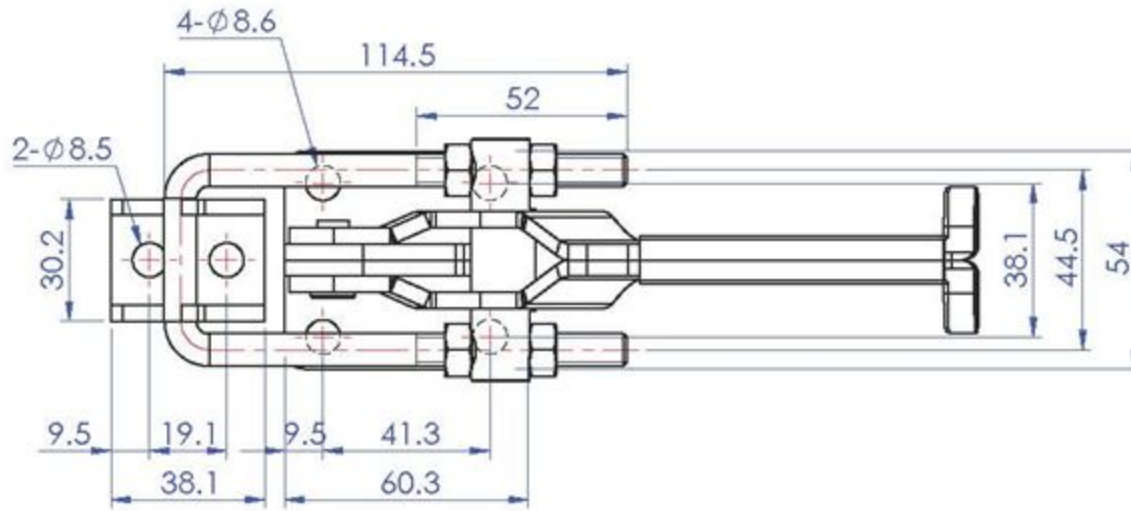


Unit:mm
Scale: 1:1.5

 **Good Hand Enterprise Co., Ltd**

TITLE:		
DWG NO.	GH-40334-SS	A4

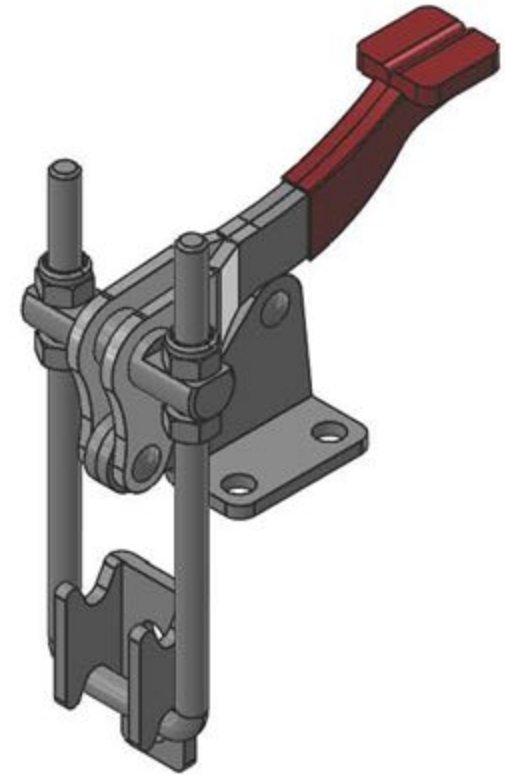
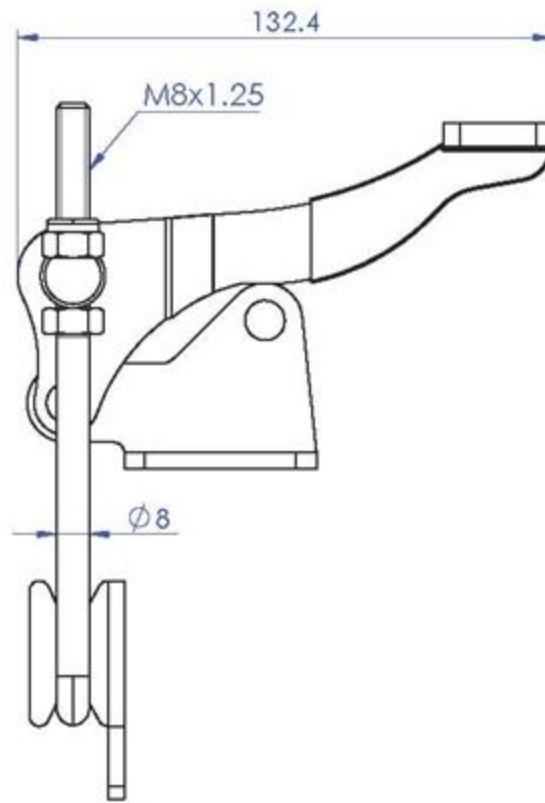
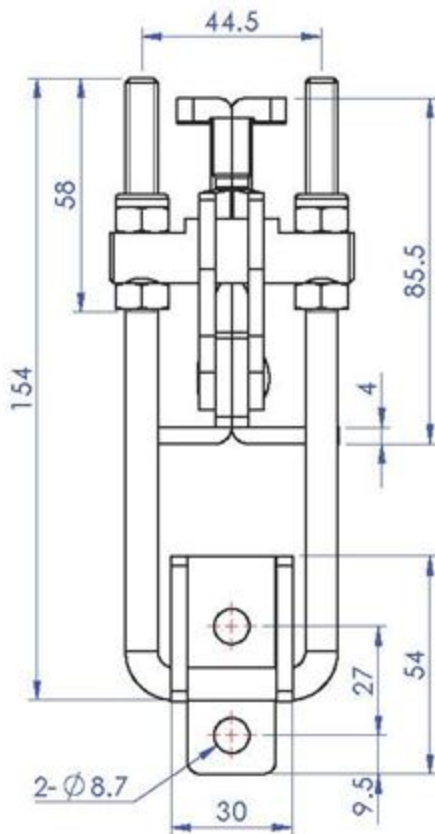
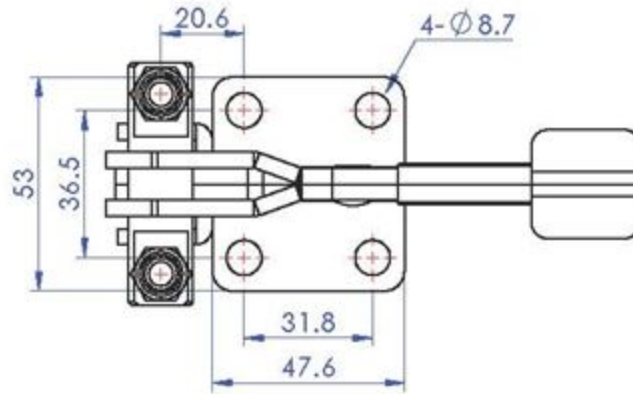
Part No:	GH-40341-SS
Holding Capacity:	900Kg
Weight:	0.68Kg
Latch Plate Supplied:	GH-40341-LPSS



Unit:mm
Scale: 1:2

Good Hand UK Ltd	
TITLE:	
DWG NO.	GH-40341-SS
	A4

Part No:	GH-40344
Holding Capacity:	900Kg
Weight:	0.645Kg
Latch Plate Supplied:	GH-40344-LP



Unit:mm
Scale: 1:2

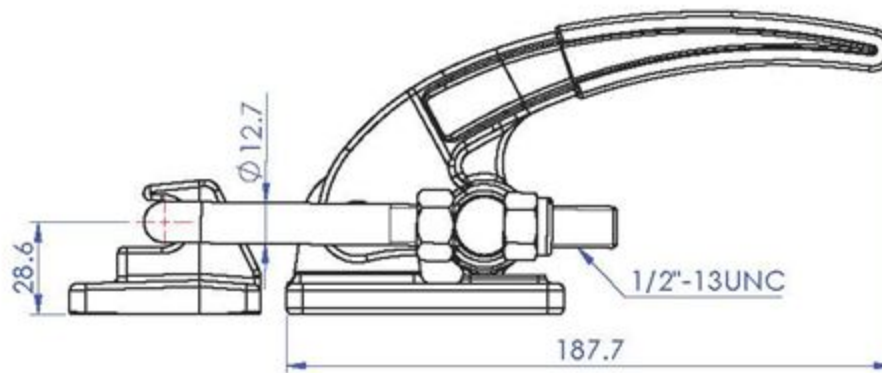
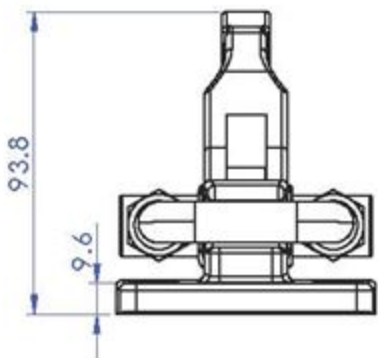
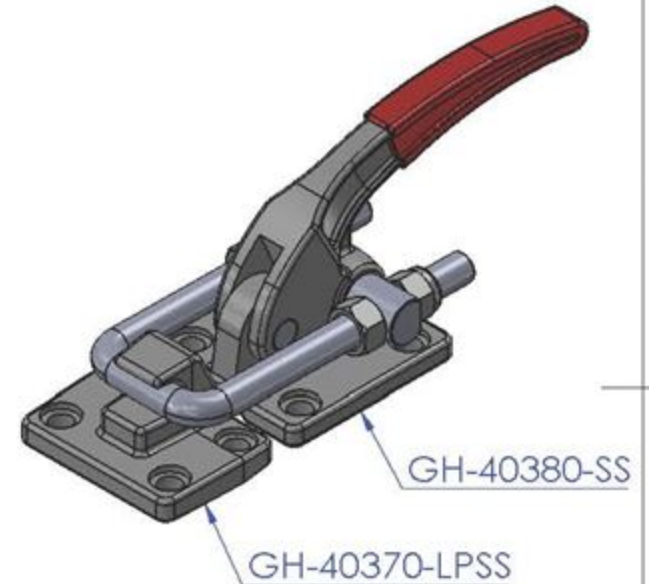
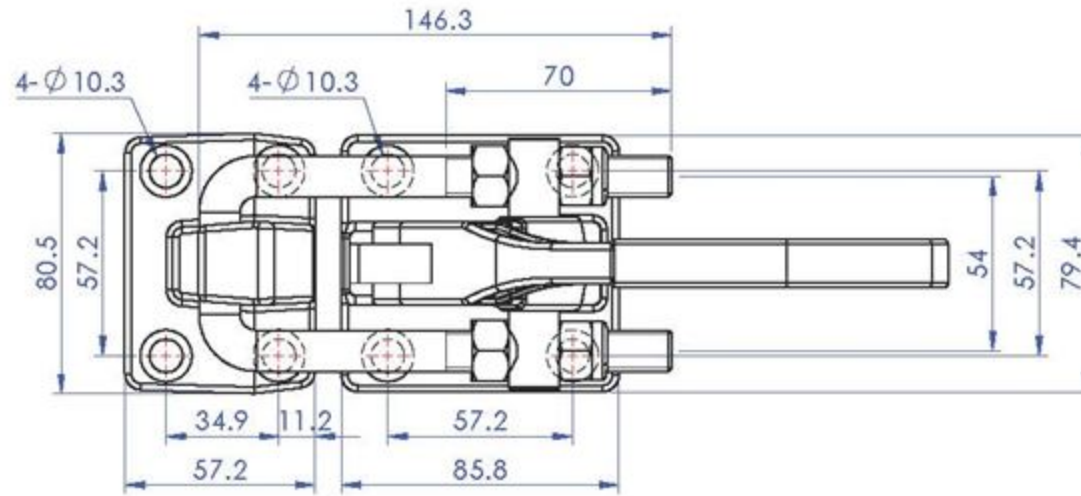
Good Hand UK Ltd

TITLE:

DWG NO. GH-40344

A4

Part No:	GH-40380-SS
Holding Capacity:	3400Kg
Weight:	1.57Kg
Latch Plate Supplied:	GH-40370-LPSS



Unit:mm

Scale: 1:2.5

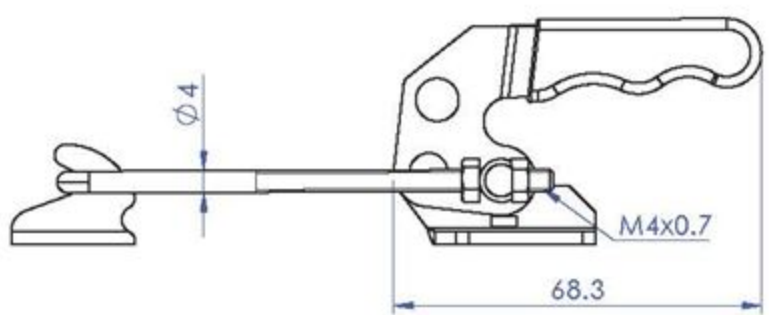
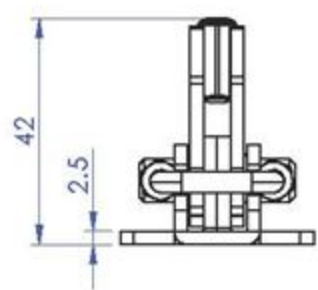
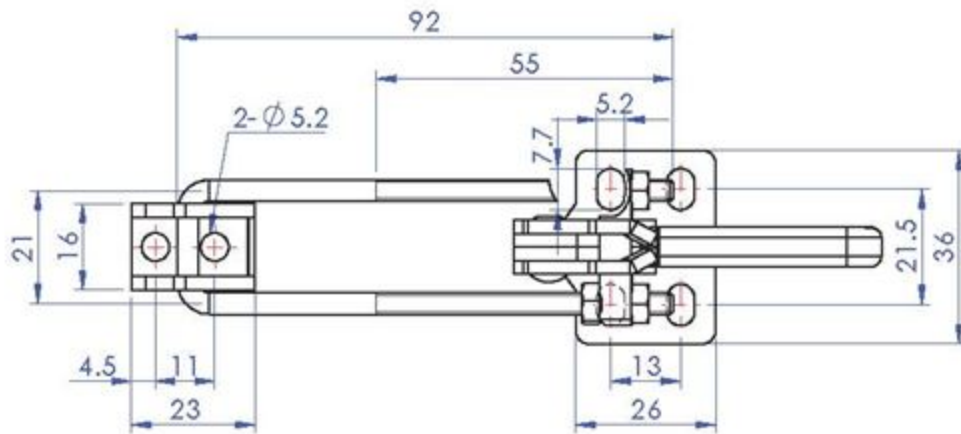
Good Hand UK Ltd

TITLE:

DWG NO. GH-40380-SS

A4

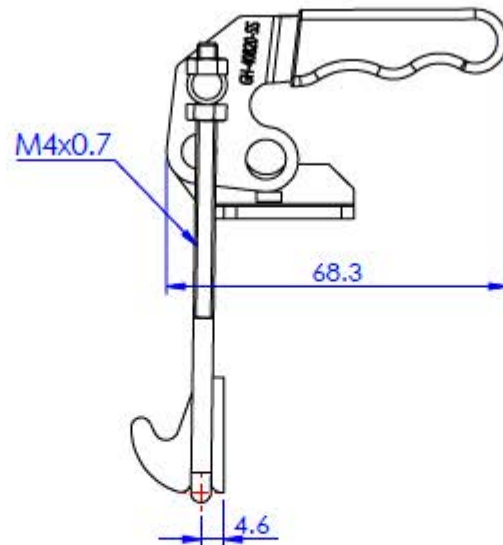
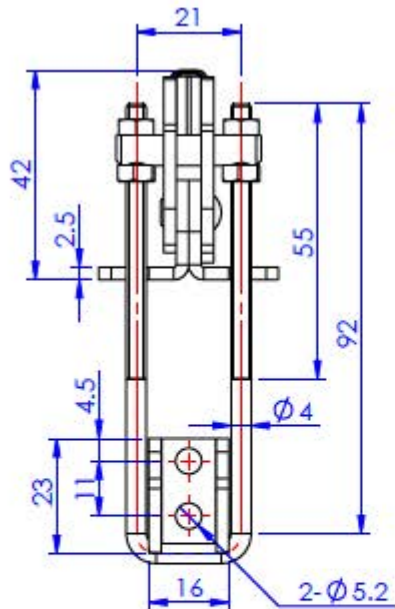
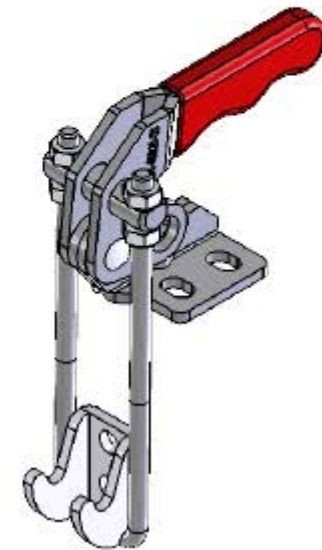
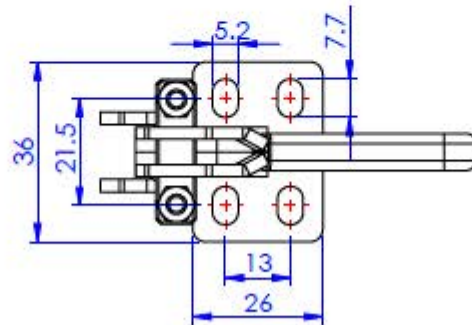
Part No:	GH-40820-SS
Holding Capacity:	200Kg
Weight:	0.111Kg
Latch Plate Supplied:	GH-40820-LPSS



Unit:mm
Scale: 1:1.5

Good Hand UK Ltd	
TITLE:	
DWG NO.	GH-40820-SS
	A4

Part No:	GH-40820-VSS
Holding Capacity:	200Kg 0.11Kg
Weight:	
Latch Plate Supplied:	GH-40820-LPSS



Unit:mm

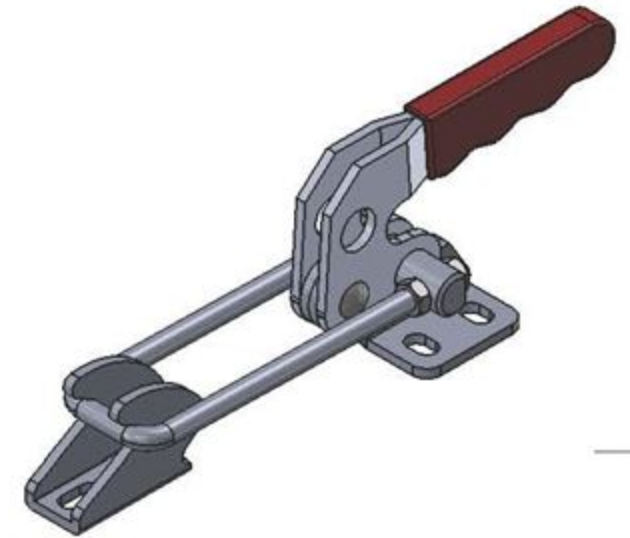
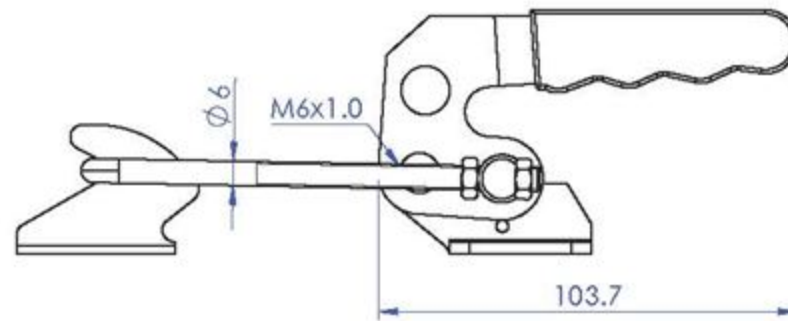
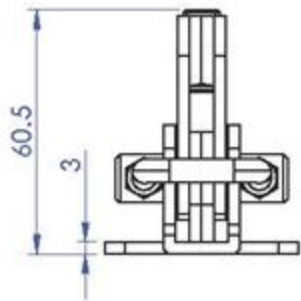
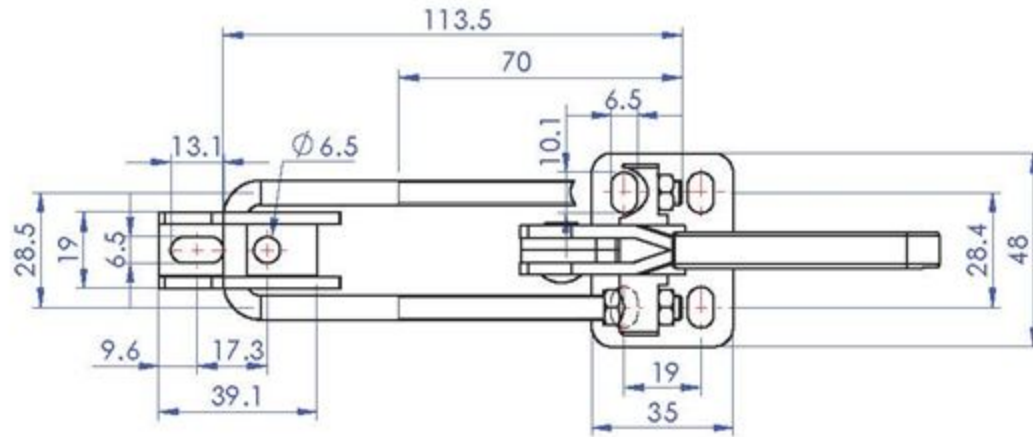
Scale: 1:1.5

Good Hand UK Ltd

TITLE:

DWG NO. GH-40820-VSS(Vertical position) A4

Part No:	GH-40840-SS
Holding Capacity:	400Kg
Weight:	0.317Kg
Latch Plate Supplied:	GH-40840-LPSS



Unit:mm
Scale: 1:2

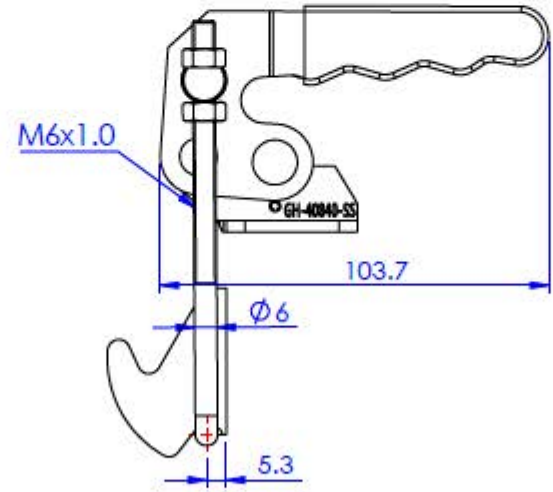
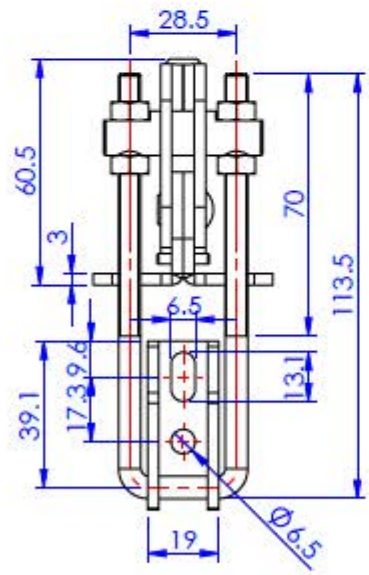
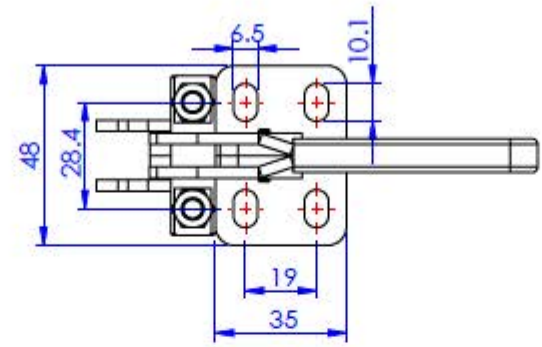
Good Hand UK Ltd

TITLE:

DWG NO. GH-40840-SS

A4

Part No:	GH-40840-VSS
Holding Capacity:	400Kg
Weight:	0.32Kg
Latch Plate Supplied:	GH-40840-LPSS

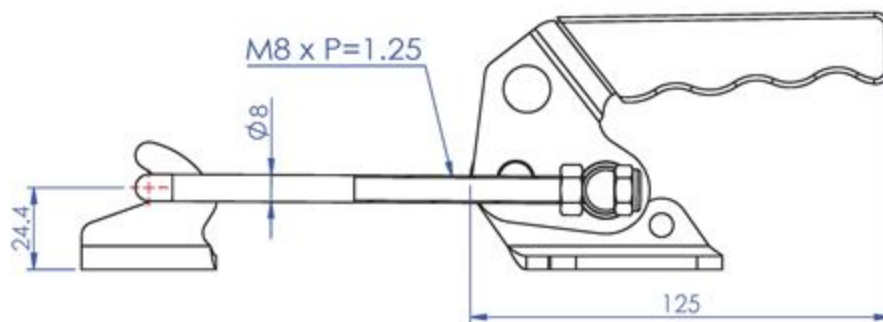
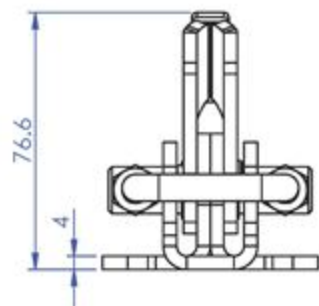
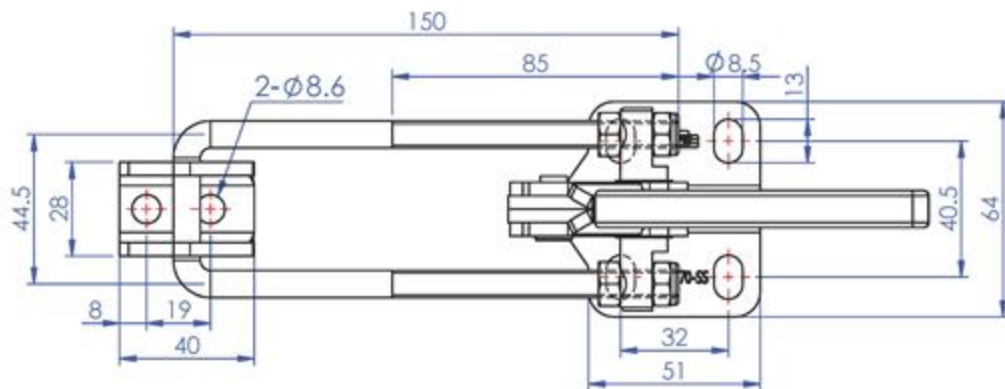


Unit:mm
Scale: 1:2

Good Hand UK Ltd

TITLE:	
DWG NO.	GH-40840-VSS(Vertical position) A4

Part No:	GH-40870-SS
Holding Capacity:	700Kg
Weight:	0.66Kg
Latch Plate Supplied:	GH-40870-LPSS



Unit:mm
Scale: 1:2



Good Hand Enterprise Co., Ltd

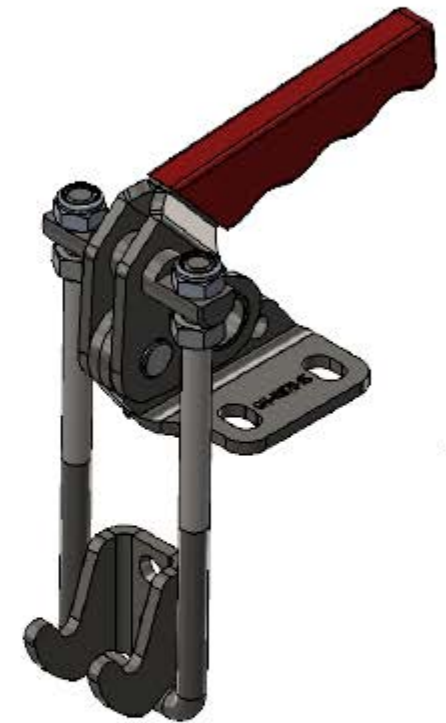
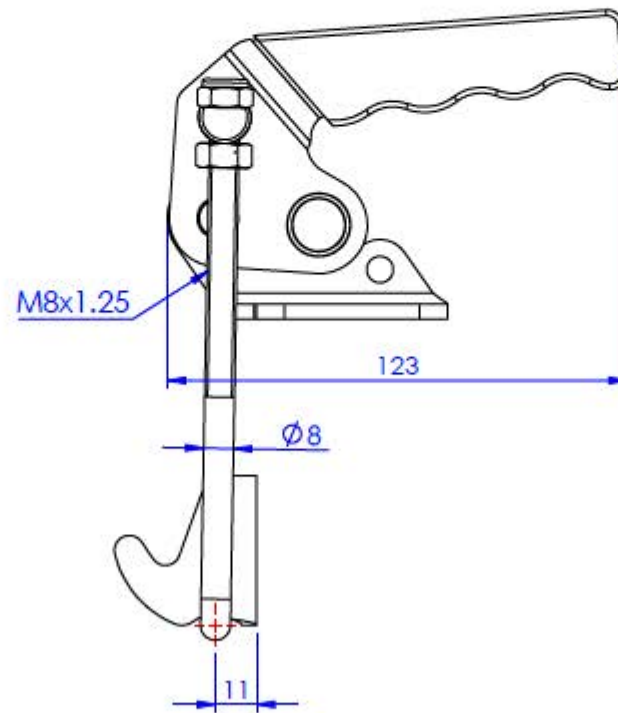
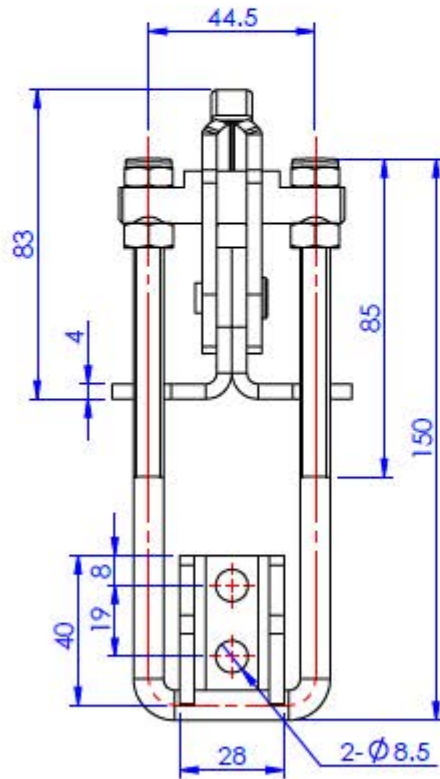
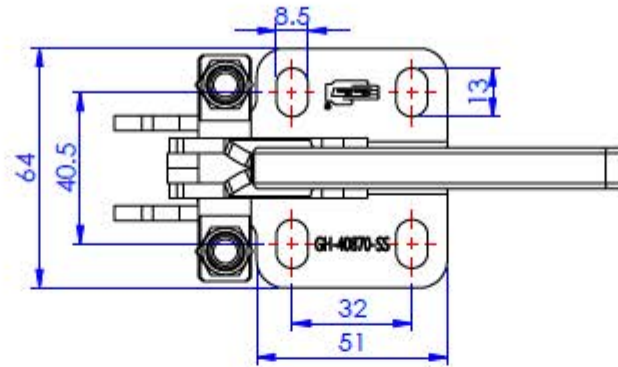
TITLE:

DWG NO.

GH-40870-SS

A4

Part No:	GH-40870-VSS
Holding Capacity:	700Kg
Weight:	0.66Kg
Latch Plate Supplied:	GH-40870-LPSS



Unit:mm

Scale: 1:2

Good Hand UK Ltd

TITLE:

DWG NO. GH-40870-VSS(Vertical position)

A4